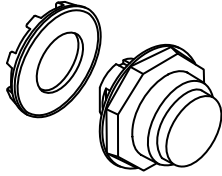


# Press-to-test pilot light pushbuttons

## Momentary

Pilot Devices  
Modular Range  
30mm

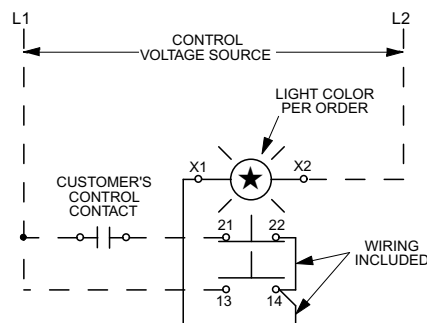


- Button type
  - 1 Flush
  - 3 Extended
  
- Δ Lens color
  - R Red
  - G Green
  - Y Yellow
  - L Blue
  - W White
  - C Clear

Complete device: 1No+1NC, lamp block, and bulb  
Light difusing lens not included

Description	Voltage type	Catalog number	List price
<b>Full voltage type</b>			
<b>Black plastic bezel</b>			
	6V	G1MP $\ddagger$ -KLFPT6Δ	\$ 55.60
	12V	G1MP $\ddagger$ -KLFPT7Δ	55.60
	24V	G1MP $\ddagger$ -KLFPT8Δ	55.60
	48V	G1MP $\ddagger$ -KLFPT9Δ	55.60
	120V	G1MP $\ddagger$ -KLFPT1Δ	55.60
<b>Chrome bezel</b>			
	6V	G2MP $\ddagger$ -MLFPT6Δ	57.60
	12V	G2MP $\ddagger$ -MLFPT7Δ	57.60
	24V	G2MP $\ddagger$ -MLFPT8Δ	57.60
	48V	G2MP $\ddagger$ -MLFPT9Δ	57.60
	120V	G2MP $\ddagger$ -MLFPT1Δ	57.60
<b>Transformer type</b>			
<b>Black plastic bezel</b>			
6V fil bulb included			
	110-127V/6V	G1MP $\ddagger$ -KLTPT1Δ	73.10
	220-240V/6V	G1MP $\ddagger$ -KLTPT2Δ	73.10
	380-420V/6V	G1MP $\ddagger$ -KLTPT3Δ	73.10
	440/480V/6V	G1MP $\ddagger$ -KLTPT4Δ	73.10
	500-600V/6V	G1MP $\ddagger$ -KLTPT5Δ	73.10
24V fil bulb included			
	110-127V/24V	G1MP $\ddagger$ -KLTPT6Δ	73.10
	220-240V/24V	G1MP $\ddagger$ -KLTPT7Δ	73.10
	380-420V/24V	G1MP $\ddagger$ -KLTPT8Δ	73.10
	440/480V/24V	G1MP $\ddagger$ -KLTPT9Δ	73.10
24V AC/DC LED included			
	110-127V/24V	G1MP $\ddagger$ -KLTPTL1Δ	82.10
	220-240V/24V	G1MP $\ddagger$ -KLTPTL2Δ	82.10
	380-420V/24V	G1MP $\ddagger$ -KLTPTL3Δ	82.10
	440/480V/24V	G1MP $\ddagger$ -KLTPTL4Δ	82.10
<b>Chrome bezel</b>			
6V fil bulb included			
	110-127V/6V	G2MP $\ddagger$ -MLTPT1Δ	73.10
	220-240V/6V	G2MP $\ddagger$ -MLTPT2Δ	73.10
	380-420V/6V	G2MP $\ddagger$ -MLTPT3Δ	73.10
	440/480V/6V	G2MP $\ddagger$ -MLTPT4Δ	73.10
	500-600V/6V	G2MP $\ddagger$ -MLTPT5Δ	73.10
24V fil bulb included			
	110-127V/24V	G2MP $\ddagger$ -MLTPT6Δ	73.10
	220-240V/24V	G2MP $\ddagger$ -MLTPT7Δ	73.10
	380-420V/24V	G2MP $\ddagger$ -MLTPT8Δ	73.10
	440/480V/24V	G2MP $\ddagger$ -MLTPT9Δ	73.10
24V AC/DC LED included			
	110-127V/24V	G2MP $\ddagger$ -MLTPTL1Δ	82.10
	220-240V/24V	G2MP $\ddagger$ -MLTPTL2Δ	82.10
	380-420V/24V	G2MP $\ddagger$ -MLTPTL3Δ	82.10
	440/480V/24V	G2MP $\ddagger$ -MLTPTL4Δ	82.10
<b>Resistor type</b>			
<b>Black plastic bezel</b>			
	120V fil bulb	G1MP $\ddagger$ -KLRPT1Δ	59.60
	120V AC/DC LED	G1MP $\ddagger$ -KLRPTL1Δ	74.60
	240V AC LED	G1MP $\ddagger$ -KLRPTL2Δ	74.60
<b>Chrome bezel</b>			
	120V fil bulb	G2MP $\ddagger$ -MLRPT1Δ	61.60
	120V AC/DC LED	G2MP $\ddagger$ -MLRPTL1Δ	76.60
	240V AC LED	G2MP $\ddagger$ -MLRPTL2Δ	76.60

### Schematic



Press- to-test schematic