

ProgramaCube®

KSPS Series Single Function Timing Module (1A Solid State Output)



US Patent 6708135



7

- Choose 1 of 14 Standard Functions
- Factory Programmed
- Microcontroller Circuitry, +/-0.5% Repeat Accuracy
- Solid State Output 1 A Steady, 10 A Inrush
- Onboard, External Adjust or Fixed Time Delay
- Universal Voltage 24 ... 240 V AC
- Delays from 100 ms...1000 h in 9 Ranges

Complete Product Details:
<http://www.ssac.com/pp1.htm>



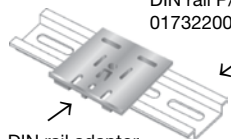
Accessories



100 K Ohm External adjust potentiometer
 P/Ns:
 P1004-95 (fig A)
 P1004-95-X (fig B)



Versa-knob
 P/N: P0700-7



DIN rail adaptor
 P/N: P1023-20

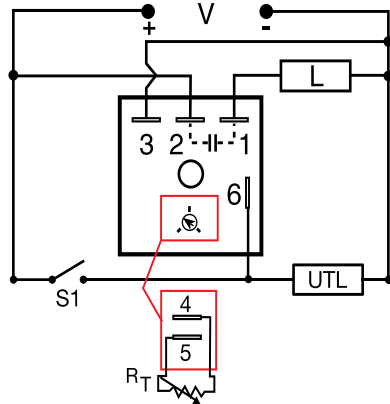
See accessory pages



The KSPS Series is a factory programmed module available in any 1 of 14 standard functions. Modules are manufactured without the function assigned. When an order is received, the function and time delay software are added. This approach allows QuickShip delivery on a large number of part numbers. The 1 A steady, 10 A inrush rated solid state output provides 100 million operations typical. Encapsulation protects against shock, vibration, and humidity. The KSPS Series is a cost effective approach for OEM applications that require small size and solid state reliability.

Choose from 1 of 14 standard single functions, fixed or onboard or external adjustment, and 9 time ranges. All available through the QuickShip program.

Connection



A knob is supplied for adjustable units, or RT terminals 4 & 5 for external adjustment. Select a 100K ohm potentiometer for full time range adjustment. The untimed load is optional. S1 is not used for some functions. Dashed lines are internal connections.

**Function Chart

- Delay on Make
- Delay on Break
- Recycle (ON Time First, Equal Times)
- Recycle (OFF Time First, Equal Times)
- Single Shot
- Interval
- Trailing Edge Single Shot
- Inverted Single Shot
- Inverted Delay on Break
- Accumulative Delay on Make
- Motion Detector/Retriggerable Single Shot
- Flip Flop (trailing edge, alternating)
- Flip Flop (leading edge)

See page 9 for function time diagrams

Code

- M
- B
- RE
- RD
- S, SD
- I
- TS
- US
- UB
- AM
- PSD, PSE
- FT
- F

Technical Data

Output	
Rating	1 A steady, 10 A inrush for 16 ms
Mechanical	
Mounting	Surface mt. with one #10 (M5 x 0.8) screw
Package	2 x 2 x 1.21 in. (50.8 x 50.8 x 30.7 mm)
Termination	0.25 in. (6.35 mm) male quick connects

Ordering Table

KSPS Series	Input	Adjustment	Time Delay*	Function**
	A - 24 ... 240 V AC	1 - Fixed	1 - 0.1 ... 10 s	Specify Function (Refer to Function Chart for Code)
	P - 12 ... 120 V DC Positive Switching	2 - Onboard Adjustment	2 - 1 ... 100 s	
	N - 12 ... 120 V DC Negative Switching	3 - External Adjustment	3 - 10 ... 1000 s	
			4 - 0.1 ... 10 m	
			5 - 1 ... 100 m	
			6 - 10 ... 1000 m	
			7 - 0.1 ... 10 h	
			8 - 1 ... 100 h	
			9 - 10 ... 1000 h	

*Note: Grayed options are available in standard lead time.

* If Fixed Delay is selected, insert delay [0.1 ... 1000] followed by (S) secs., (M) mins., or (H) hrs.

Example P/N:

- KSPSA23RE** = Universal AC voltage, onboard adjustment, 10...1000 sec., recycling, ON time first
- KSPSA10.5SI** = Universal AC voltage, fixed delay of 0.5 sec., interval function