

Accurate General Purpose Timers

KSD1, KSD2, KSDB, KSDS Series

Solid State Output Timing Modules

Timing Modules

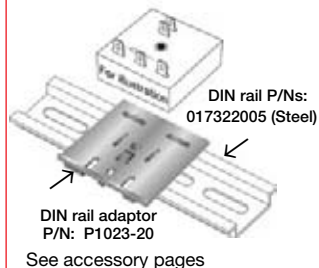
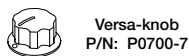


- Adjustable Delays from 0.1 s ... 10 min in 3 Ranges
- +/-0.5% Repeat Accuracy
- +/-5% Factory Calibration
- 1 A Solid State Output
- Encapsulated

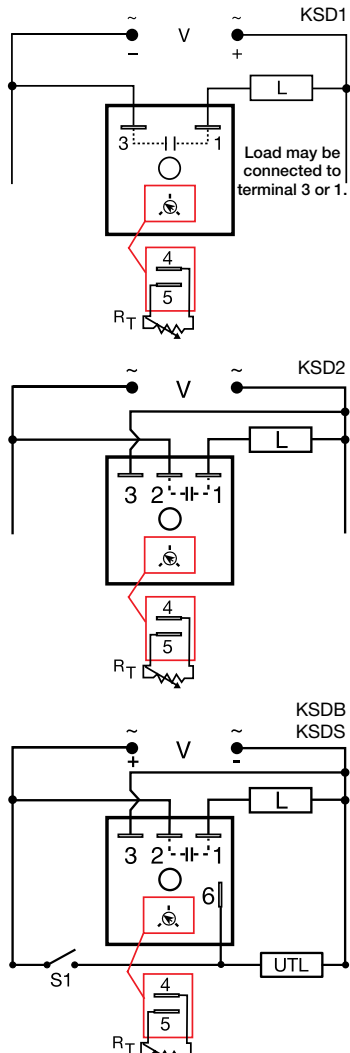
Complete Product Details:
<http://www.ssac.com/pp1.htm>



Accessories

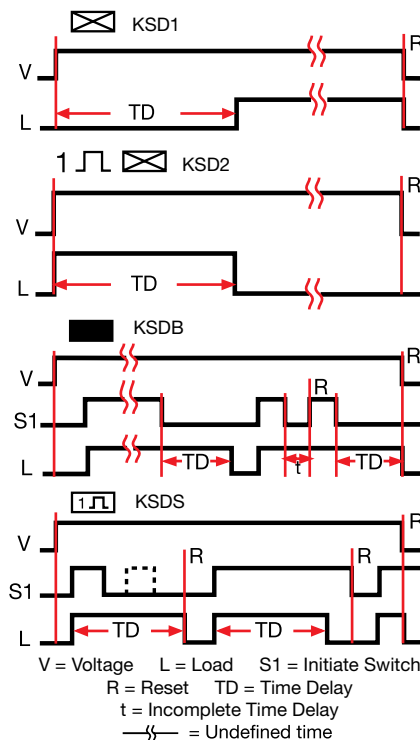


Connection



These timing modules are designed for general purpose commercial and industrial applications where a small, cost effective, reliable solid state timer is required. The output is rated 1 A steady and 10 A inrush typically provides 100 million operations. The modules are totally solid state and encapsulated to protect the electronic circuitry.

Function



A knob is supplied for adjustable units, or RT terminals for 4 & 5 for external adjustment. Select a 100K ohm potentiometer for full time range adjustment. The untimed load UTL is optional. Dashed lines are internal connections.

Technical Data

| Output | |
|------------------------------|--|
| Maximum Load Current | 1 A steady state, 10 A inrush at 60°C |
| Minimum Holding Current | (KSD1 only) ≤ 40 mA |
| OFF State Leakage Current | (KSD1 only) ≅ 7 mA at 230 V AC (all others) ≅ 5 mA at 230 V AC |
| Mechanical | |
| Mounting Package Termination | Surface mount with one #10 (M5 x 0.8) screw 2 x 2 x 1.21 in. (50.8 x 50.8 x 30.7 mm) 0.25 in. (6.35 mm) male quick connect terminals |

Ordering Table

| Part Number | Time Delay | Adjustment | Function | Voltage | Accuracy |
|-------------|------------|----------------|----------------------------|--------------|--------------|
| KSD1420 | 0.1...10 S | External | Delay on Make (ON delay) | 120 V AC | 0.5% or 20mS |
| KSD1421 | 1...100 S | | | | 0.5% |
| KSD1423 | 0.1...10 M | | | | 0.5% or 20mS |
| KSD1430 | 0.1...10 S | Onboard Adjust | Interval (Single pulse) | | 0.5% |
| KSD1431 | 1...100 S | | | | 0.5% or 20mS |
| KSD1433 | 0.1...10 M | | | | 0.5% |
| KSD2420 | 0.1...10 S | External | Delay on Break (OFF delay) | | 0.5% |
| KSD2421 | 1...100 S | | | | 0.5% or 20mS |
| KSD2423 | 0.1...10 M | | | | 0.5% |
| KSD2430 | 0.1...10 S | Onboard Adjust | Single Shot (One shot) | | 0.5% |
| KSD2431 | 1...100 S | | | | 0.5% or 20mS |
| KSD2433 | 0.1...10 M | | | | 0.5% |
| KSDB420 | 0.1...10 S | External | Single Shot (One shot) | | 0.5% |
| KSDB421 | 1...100 S | | | | 0.5% or 20mS |
| KSDB423 | 0.1...10 M | | | | 0.5% |
| KSDB430 | 0.1...10 S | Onboard Adjust | Single Shot (One shot) | 0.5% | |
| KSDB431 | 1...100 S | | | 0.5% or 20mS | |
| KSDB433 | 0.1...10 M | | | 0.5% | |
| KSDS420 | 0.1...10 S | External | Single Shot (One shot) | 0.5% | |
| KSDS421 | 1...100 S | | | 0.5% or 20mS | |
| KSDS423 | 0.1...10 M | | | 0.5% | |
| KSDS430 | 0.1...10 S | Onboard Adjust | Single Shot (One shot) | 0.5% | |
| KSDS431 | 1...100 S | | | 0.5% or 20mS | |
| KSDS433 | 0.1...10 M | | | 0.5% | |

KSD1pp 12.28.07