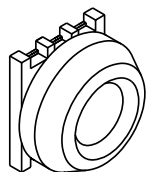
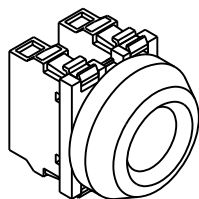


## Definite purpose pushbuttons

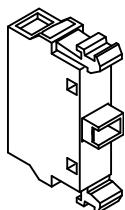
### IP 66, and now NEMA 1, 3R, 4 & 4X!



Actuator only



Actuator with blocks



Contact block

### Definite purpose pushbuttons

The definite purpose pushbutton, 30 mm, is a robust and compact pushbutton for use in cold, hot, damp, oily and other tough environments.

Suitable especially for hydraulic lifts, compact pendant controllers and pushbutton stations.

Included contact blocks	Membrane color	Catalog number	Ref. code	List price
1 NO + 1 NC	Black	<b>1SFA616105R4076</b>	1SFA 616 105 R4076	<b>\$ 45.00</b>
1 NO	Black	<b>1SFA616105R4016</b>	1SFA 616 105 R4016	<b>37.00</b>
1 NC	Black	<b>1SFA616105R4046</b>	1SFA 616 105 R4046	<b>37.00</b>
2 NO	Black	<b>1SFA616105R4026</b>	1SFA 616 105 R4026	<b>45.00</b>
2 NC	Black	<b>1SFA616105R4056</b>	1SFA 616 105 R4056	<b>45.00</b>
-	Red	<b>KP6-40R</b>	1SFA 616 105 R4001	<b>29.00</b>
-	Green	<b>KP6-40G</b>	1SFA 616 105 R4002	<b>29.00</b>
-	Black	<b>KP6-40B</b>	1SFA 616 105 R4006	<b>29.00</b>

### Contact block

Description	Catalog number	Ref. code	List price
1 NO	<b>MCB-10</b>	1SFA 611 610 R1001	<b>\$ 8.00</b>
1 NC	<b>MCB-01</b>	1SFA 611 610 R1010	

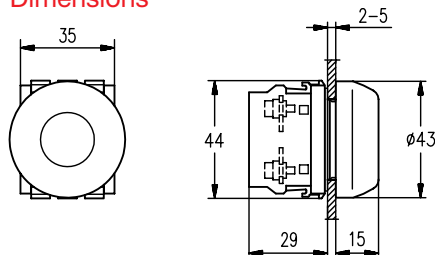
### Accessories

Description	Catalog number ①	Ref. code	List price
Guide washer for positioning and anti rotation	<b>2154373-1</b>	2154 373-1	<b>\$ 3.00</b>

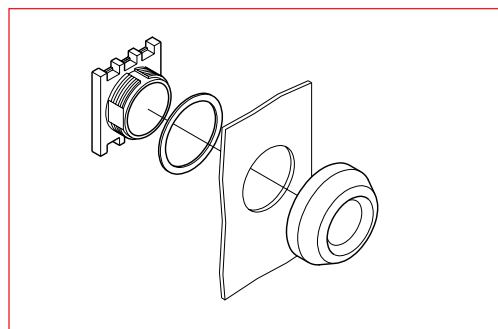
### Technical data

Degree of protection	IP66
Ambient temperature	-30° ...+70°

### Dimensions



### Mounting



① IP66 Rating only.