

OFF Delay Timers

CT-AHD and CT-ARS Series

Relay Output, 35mm DIN Rail Mounting

7



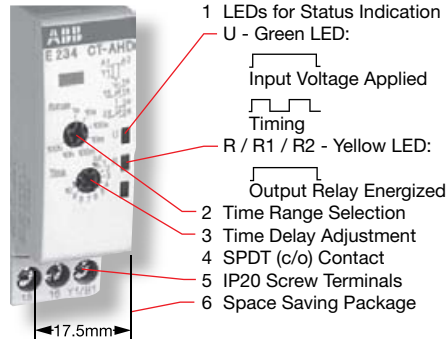
CT-AHD.12

- Delay on Break (OFF delay) Function
- 7 Switch Selectable Time Ranges (0.05 s...100 h)
- SPDT (c/o) contact
- Universal Voltage 24...240V AC; ...48V DC
- Status Indication - 2 LEDs

Complete Product Details:
<http://www.ssac.com/pp1.htm>



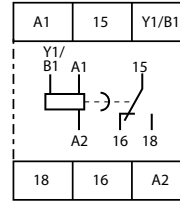
CT-AHD - 17.5mm, DIN Rail Mounting, Delay on Break Timer



Switch Selectable Time Ranges:

- | | |
|-------------------|------------------|
| 10.05-1 s | 55-100 min |
| 20.5-10 s | 60.5-10 h |
| 35-100 s | 75-100 h |
| 40.5-10 min | |

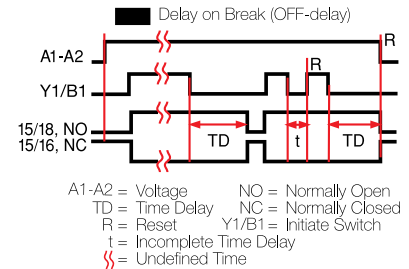
Connection



CT-AHD.12

- A1-A2 Input Voltage:
24-48 V DC
24-240 V AC
- 15-16/18 SPDT (c/o) Contact
- A1-Y1/B1 Initiate Switch

Function



Technical Data

Timing	
Repeat Accuracy (constant parameters)	< +/- 0.5%
Mechanical	
Dimensions (W x H x D)	.69 x 2.76 x 2.28 in. (17.5 x 70 x 58 mm)
Mounting	35mm DIN Rail, No Tools Required
Degree of Protection	Enclosure IP50 Terminals IP20

Ordering Table

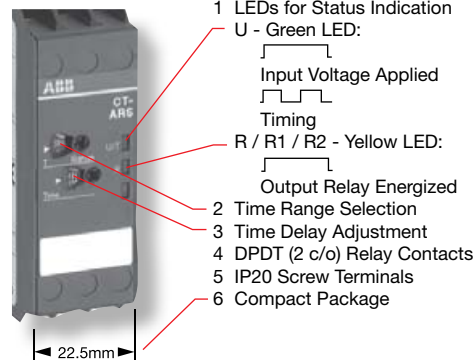
Series	Part Number	Input Voltage	Output Rating (res./ind.)
CT-AHD.12	1SVR 500 110 R0000	24-48 V DC, 24-240 V AC	6A / 3A

CT-ARS - 22.5mm, DIN Rail Mounting, True Delay on Break Timer



CT-ARS.22

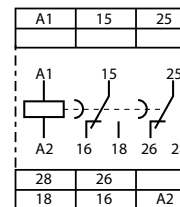
- True Delay on Break Function
- Operates on Loss of Power
- 7 Switch Selectable Time Ranges (0.05 s...10 m)
- DPDT (2 c/o) contacts
- Universal Voltage 24...240V AC; ...48V /DC
- Status Indication - 2 LEDs



Switch Selectable Time Ranges:

- | | |
|-----------------|-------------------|
| 10.05-1 s | 55-100 s |
| 20.15-3 s | 615-300 s |
| 30.5-10 s | 70.5-10 min |
| 41.5-30 s | |

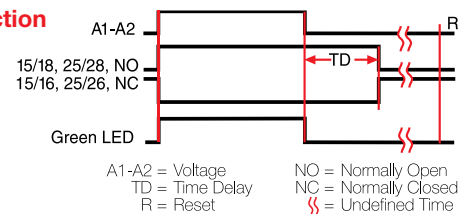
Connection



CT-ARS.22

- A1-A2 Input Voltage:
24-48 V DC
24-240 V AC
- 15-16/18 SPDT (c/o) Contact
- 25-26/28 SPDT (c/o) Contact

Function



Technical Data

Timing	
Repeat Accuracy (constant parameters)	< +/- 0.2%
Typical Charge Time	200 ms
Initial Charge Time	5 min.
Mechanical	
Dimensions (W x H x D)	.89 x 3.07 x 3.94 in. (22.5 x 78 x 100 mm)
Mounting	35mm DIN Rail, No Tools Required
Degree of Protection	Enclosure IP50 Terminals IP20

Ordering Table

Series	Part Number	Input Voltage
CT-ARS.22	1SVR 630 120 R3300	24-48 V DC, 24-240 V AC