

Selection guide

30mm & 40mm, IP65, UL Type 4

30mm width — LS35P



CENELEC conformity

—

EN 50 047

EN 50 047

EN 50 047

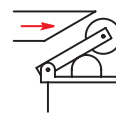
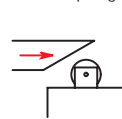
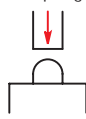
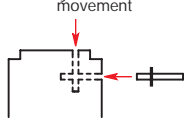
Actuating device and actuation type

Key translation movement

Plain plunger

Roller plunger

Roller lever



Positive contact opening



40mm width — LS45P



CENELEC conformity

EN 50 041

EN 50 041

—

EN 50 041

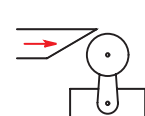
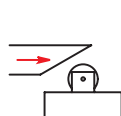
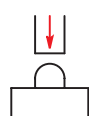
Actuating device and actuation type

Plain plunger

Roller plunger

Roller lever

Roller lever



Positive contact opening






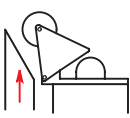
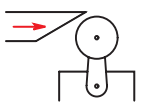
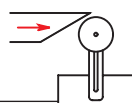
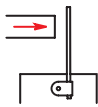
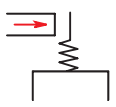









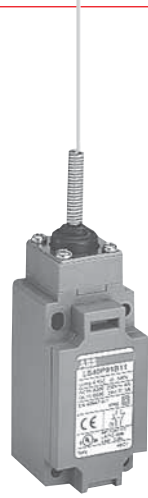
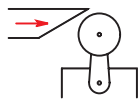
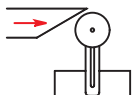
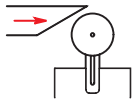
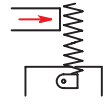
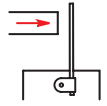
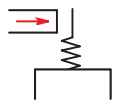
Selection guide

30mm & 40mm, IP65, UL Type 4

Plastic
Limit switches

9

				
LS35P32	LS35P41	LS35P51	LS35P71	LS35P91
—	EN 50 047	—	—	—
Roller lever	Roller lever	Adjustable roller lever	Adjustable rod lever	Flexible rod
				
		—	—	—

					
LS45P44	LS45P51	LS45P54	LS45P61	LS45P72	LS45P91
—	—	—	—	EN 50 041	—
Roller lever	Adjustable roller levers		Adjustable flexible and rigid rod levers		Flexible rod
					
—	—	—	—	—	—