

Definite purpose pushbuttons 30 mm IP 66 Rated only

Definite purpose pushbuttons

The definite purpose pushbutton, 30 mm, is a robust and compact pushbutton for use in cold, hot, damp, oily and other tough environments.

Suitable especially for hydraulic lifts, compact pendant controllers and pushbutton stations.

Included contact blocks	Membrane color	Catalog No.	Ref. Code	List Price
1 NO + 1 NC	Black	1SFA 616 105 R4076	1SFA 616 105 R4076	\$ 45.00
1 NO	Black	1SFA 616 105 R4016	1SFA 616 105 R4016	37.00
1 NC	Black	1SFA 616 105 R4046	1SFA 616 105 R4046	37.00
2 NO	Black	1SFA 616 105 R4026	1SFA 616 105 R4026	45.00
2 NC	Black	1SFA 616 105 R4056	1SFA 616 105 R4056	45.00
-	Red	KP6-40R	1SFA 616 105 R4001	29.00
-	Green	KP6-40G	1SFA 616 105 R4002	29.00
-	Black	KP6-40B	1SFA 616 105 R4006	29.00

Contact block

Description	Catalog No.	Ref. Code	List Price
1 NO	MCB-10	1SFA 611 610 R1001	\$ 8.00
1 NC	MCB-01	1SFA 611 610 R1010	

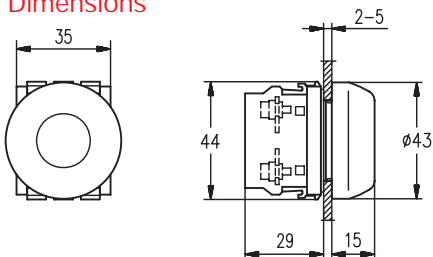
Accessories

Description	Catalog No. ①	Ref. Code	List Price
Guide washer for positioning and anti rotation	2154 373-1	2154 373-1	\$ 3.00

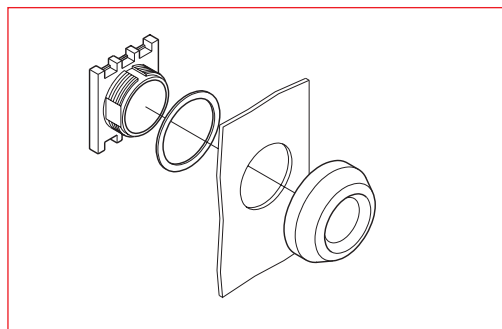
Technical data

Degree of protection	IP66
Ambient temperature	-30° ...+70°

Dimensions



Mounting



① IP66 Rating only.