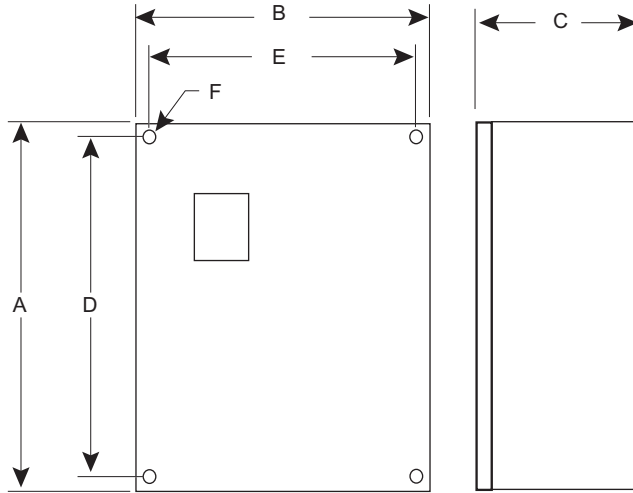


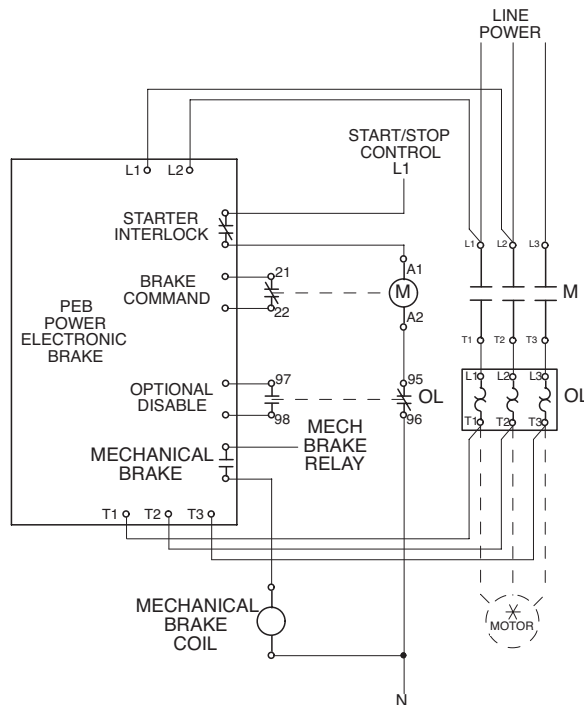
## Approximate dimensions & Circuit diagram Open

### Approximate dimensions (inches)



Model No.	A	B	C	D	E	F
PEB-10	8.5	7.3	6.2	8	6.9	0.21
PEB-24	8.5	7.3	6.2	8	6.9	0.21
PEB-50	10.5	7.9	7.2	10	6.8	0.22
PEB-100	10.5	7.9	7.2	10	6.8	0.22
PEB-200	16.5	10	10	15.9	9	0.28
PEB-300	16	16	10	15	15	0.5
PEB-400	16	16	10	15	15	0.5
PEB-550	16	16	10	15	15	0.5
PEB-800	16	16	10	15	15	0.5
PEB-1000	16	16	10	15	15	0.5

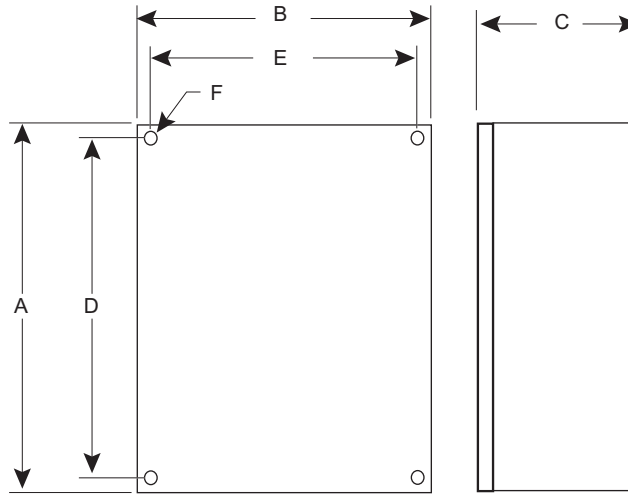
### Circuit diagram



# Approximate dimensions & Circuit diagram Enclosed

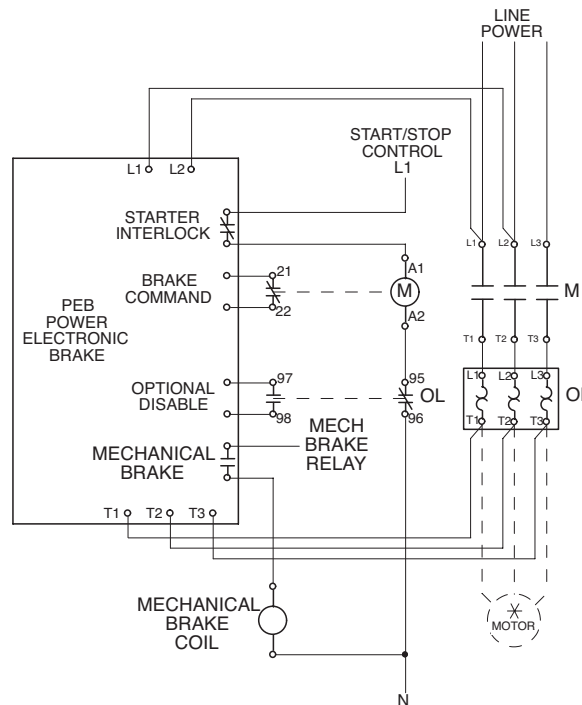
Softstarters  
Type PEB

## Approximate dimensions (inches) ①



Model No.	A	B	C	D	E	F
PEB-10	16	12	9	14.5	10.5	0.5
PEB-24	16	12	9	14.5	10.5	0.5
PEB-50	20	16	9	18.5	14.5	0.5
PEB-100	20	16	9	18.5	14.5	0.5
PEB-200	24	20	13	22.5	18.5	0.5
PEB-300	36	24	13	34.5	22.5	0.5
PEB-400	36	24	13	34.5	22.5	0.5
PEB-550	36	24	13	34.5	22.5	0.5
PEB-800	36	24	13	34.5	22.5	0.5
PEB-1000	36	24	13	34.5	22.5	0.5

## Circuit diagram



① Dimensions apply to NEMA 1, NEMA 12, NEMA 3R and NEMA 4 enclosures. Consult factory for NEMA 4X dimensions.