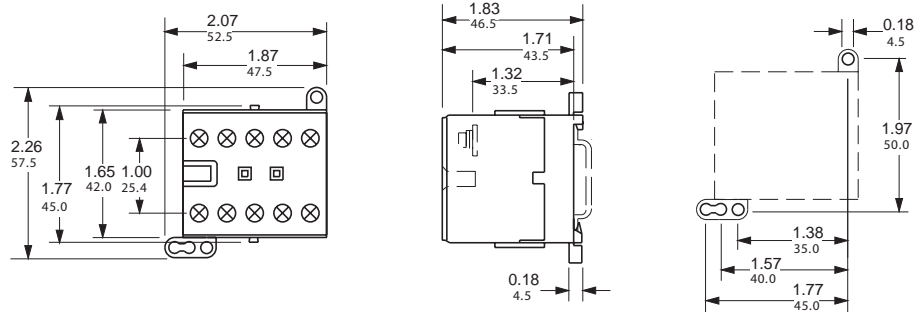


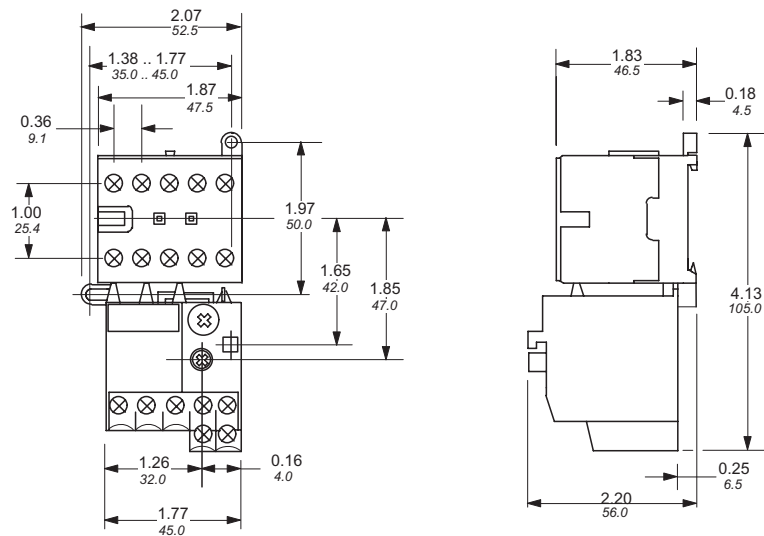
# Approximate dimensions Mini contactors & overload relays

00.00      Inches  
00.00      [Millimeters]

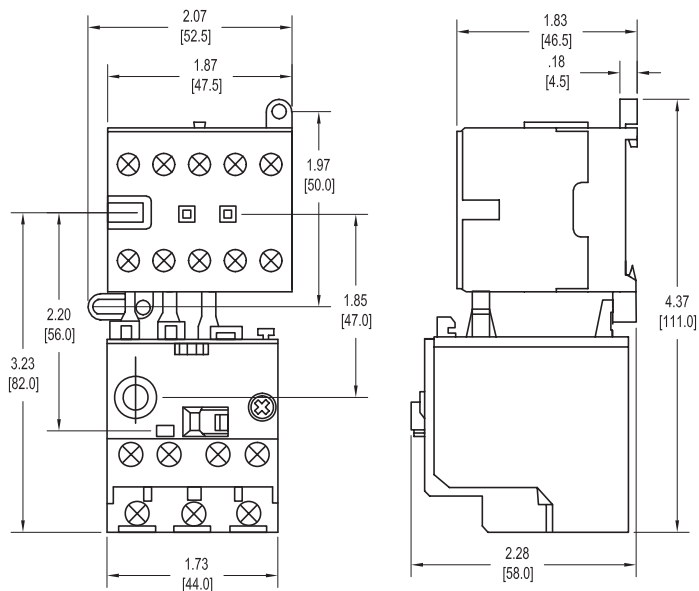
## Mini contactors AC & DC Operated – B6, BC6, B7, BC7



## Mini contactor with overload relay B6, B7 & T7DU



## E16DU with B/BC6, B/BC7



## Approximate dimensions

### Mechanically interlocked contactors, control relays

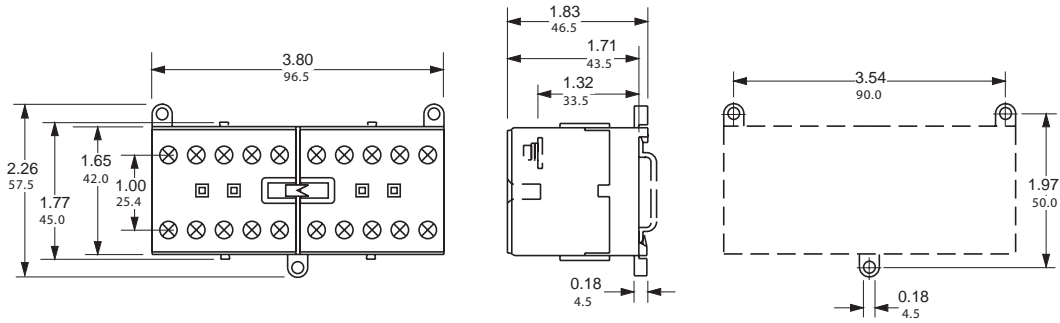
### Auxiliary contact blocks

← 00.00 → Inches  
00.00 → [Millimeters]

#### Mechanically interlocked – AC & DC Operated

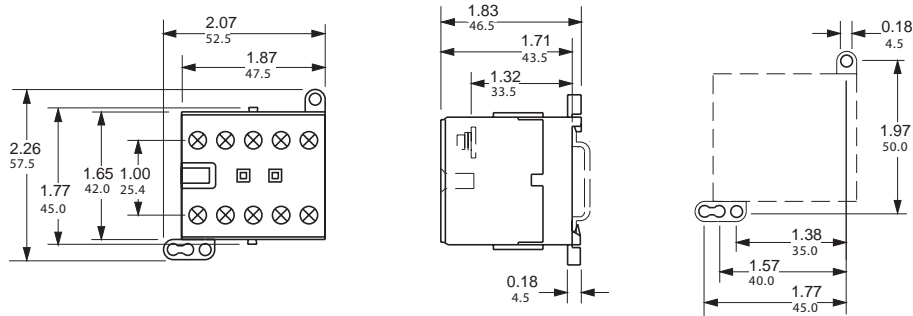
#### VB6M, VBC6M, VB7M, VBC7M

4



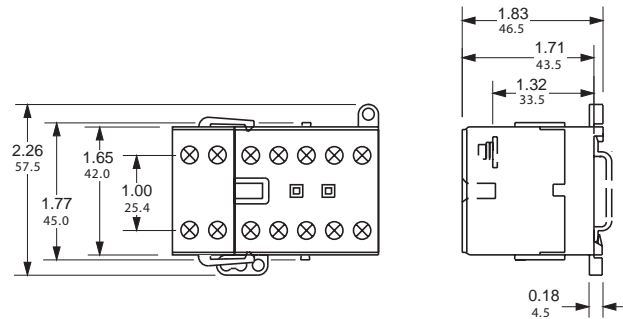
#### Mini control relays

#### AC & DC Operated – K6, KC6



#### Mini contactor with side mounted auxiliary contact block

#### B6, B7 & CA6



#### Mini contactor with front mounted auxiliary contact block

#### B6, B7 & CA6

