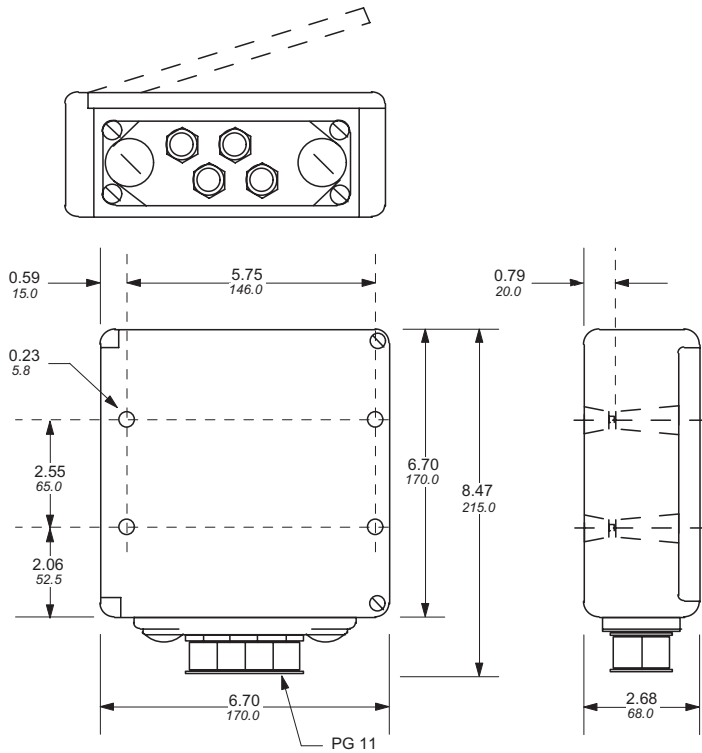


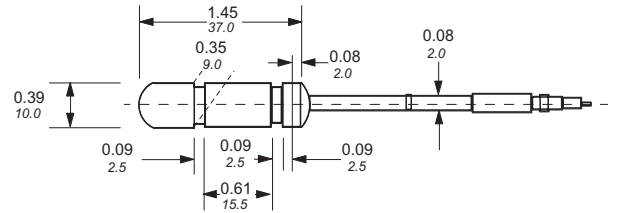
# Approximate dimensions Arc Guard System

## Arc monitor Current sensing unit

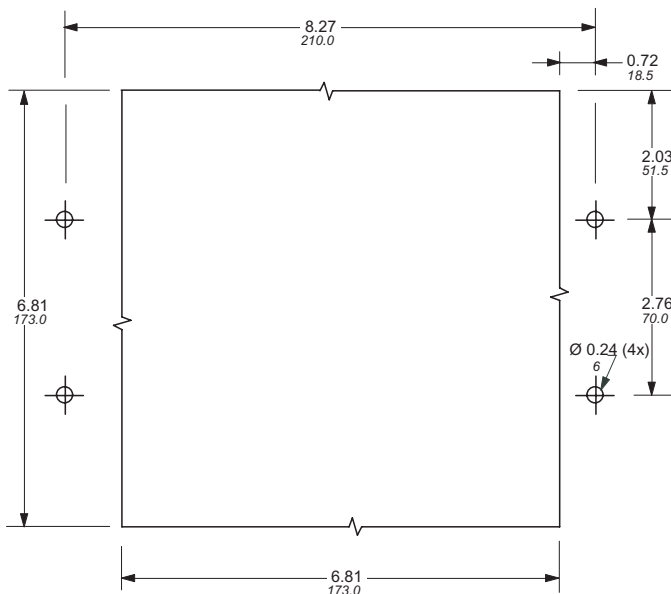
A flange with 6 tapped holes (size 18.6 mm) 4 cable glands (sealing diameter 5.5 – 8.5 mm) and 2 plastic blank plugs are supplied.



## Detector with optical cable



## Front panel cut-out



## Bracket for fiber optic sensors

