

## Other configurations

### High speed fuse pattern

### Special type fuses

For a complete assembly,  
please select one of each:

- 1 switch body
- 1 adapter kit
- 1 shaft
- 1 handle



#### Selecting switch bodies and adapter kits

Please select switch body and adapter kit according to your fuses. Switch body alone can not be used — an adapter kit is always needed.

#### Switch bodies — 200A through 800A

UL general purpose amp rating	Maximum horsepower rating				Max. allowed fuse power dissipation at rated current	Weight (lbs)	Catalog number	List price
	Three phase							
	208V	240V	480V	600V				
<b>3 pole</b>								
200	50	60	125	150	22W	15.21	OES200R03	\$ 1220
400	125	125	250	350	45W	17.20	OES400R03	1740
600	150	200	400	500	60W	37.48	OES600R03	2640
800	200	250	500	600	65W	37.48	OES800R03	4590
<b>4 pole</b>								
200	50	60	125	150	22W	17.4	OES200R04	1510
400	125	125	250	350	45W	19.4	OES400R04	2140
600	150	200	400	500	60W	46.3	OES600R04	3270
800	200	250	500	600	65W	46.3	OES800R04	5710

#### Fuse adapter kits — for switches OES200 – OES400

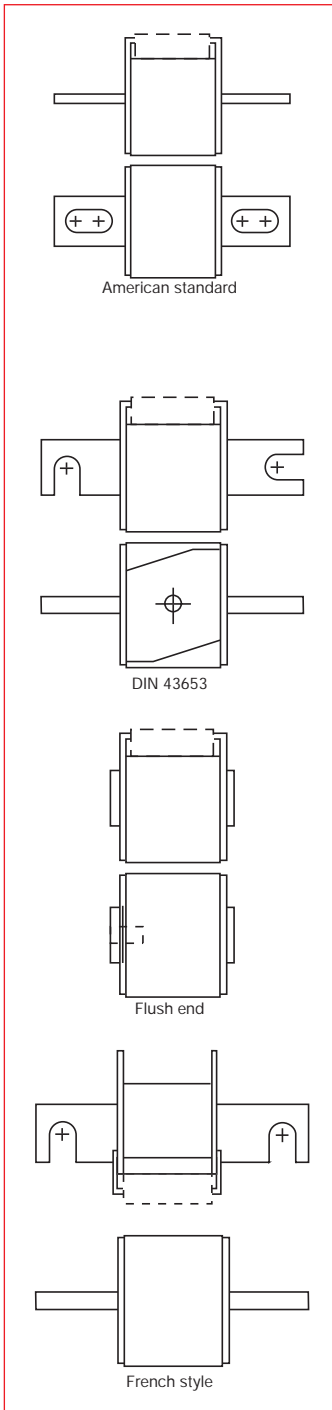
Fuse standard	For 3 pole switch		For 4 pole switch	
	Catalog number	List price	Catalog number	List price
American standard	OESAZX1-S4 OESAZX1-S5	\$ 220	OESAZX1-S4/4 OESAZX1-S5/4	\$ 290
DIN80 (DIN43653) DIN80 sizes 00 and 000 (DIN 43653) DIN110 (DIN43653) DIN140 (DIN43653)	OESAZX1-S7 OESAZX1-S9 OESAZX1-S2 OESAZX1-S6		OESAZX1-S7/4 OESAZX1-S9/4 OESAZX1-S2/4 OESAZX1-S6/4	
Flush-end, 70mm body Flush-end, 50mm body	OESAZX1-S8 OESAZX1-S3		OESAZX1-S8/4 OESAZX1-S3/4	
French French with micro switches	OESAZX1-S10 OESAZX1-S11		OESAZX1-S10/4 OESAZX1-S11/4	

#### Fuse adapter kits — for switches OES600 – OES800

Fuse standard	For 3 pole switch		For 4 pole switch	
	Catalog number	List price	Catalog number	List price
American standard DIN80, DIN 110, DIN 140 (DIN43653) Flush-end, 50mm and 70mm body French French with micro switches	OESAZX2-S4 OESAZX2-S2 OESAZX2-S3 OESAZX2-S5 OESAZX2-S6	\$ 400	OESAZX2-S4/4 OESAZX2-S2/4 OESAZX2-S3/4 OESAZX2-S5/4 OESAZX2-S6/4	\$ 530

#### Handles and shafts — see pages 18.91 – 18.92.

Selecting the right fusible disconnect for HSF fuses may be difficult. Due to UL restrictions it is not possible to give a general fuse selection table for your use. Therefore we ask you to contact ABB Inc., Wichita Falls, in application issues. Information needed is nominal current of the application and catalog number of the fuse.



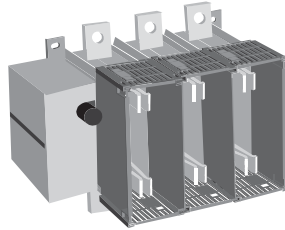
## Other configurations

### High speed fuse pattern

### Standard switches

Disconnect  
switches  
Fusible

For a complete assembly, please select one switch catalog number which includes:



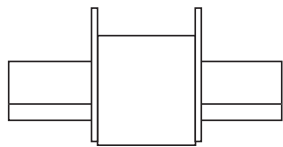
Switch body



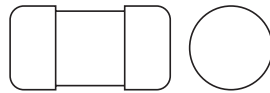
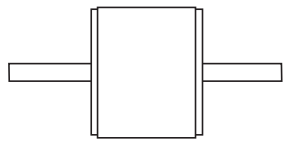
shaft



handle



DIN 43620



NFC Style

### Selecting switch bodies

There are some HSF fuses that fit in standard pattern fusible disconnects, no adapter kits needed.

### DIN-style fusible disconnects — 32A through 800A<sup>①</sup>

UL general purpose amp rating	AC23A rated operational power in kW				Fuse type	Weight (lbs.)	Catalog number	List price
	230V	400V	500V	690V				
<b>3 pole</b>								
30	9	15	22	30	DIN 000, 00	2.9	OS32RD12	\$ 500
60	18.5	30	37	60	DIN 000, 00	2.9	OS63RD12	500
100	45	80	110	132	DIN 000, 00	3.3	OS160RD03	700
100	45	80	110	132	DIN 43653: 000/80	3.3	OS160RD0380	700
200	70	132	170	230	DIN 0, 1	16.1	OESA250RD3	1380
400	110	210	280	330	DIN 0, 1, 2	18.3	OESA400RD3	1860
600	180	315	400	540	DIN 3	35.2	OESA630RD3	2900
800	200	350	470	600	DIN 3	39.6	OESA800RD3	4760
<b>4 pole</b>								
30	9	15	22	30	DIN 000, 00	3.5	OS32RD22	660
60	18.5	30	37	60	DIN 000, 00	3.5	OS63RD22	660
100	45	80	110	132	DIN 000, 00	4.0	OS160RD04	930
100	45	80	110	132	DIN 43653: 000/80	4.0	OS160RD0480	930
200	70	132	170	230	DIN 0, 1	18.1	OESA250RD4	1840
400	110	210	280	330	DIN 0, 1, 2	20.7	OESA400RD4	2480
600	180	315	400	540	DIN 3	46.3	OESA630RD4	3860
800	200	350	470	600	DIN 3	52.9	OESA800RD4	6340

### NFC-style fusible disconnects — 25A through 125A<sup>②</sup>

UL general purpose amp rating	AC23A rated operational power in kW				Fuse type	Weight (lbs.)	Catalog number	List price
	230V	400V	500V	690V				
<b>3 pole</b>								
30	6	11	14	22	NFC 10x38	1.54	OS25RF1210	\$ 400
30	8	14	18	25	NFC 14x51	1.54	OS32RF1214	400
60	18.5	30	37	60	NFC 14x51	2.90	OS63RF1214	500
100	37	60	80	110	NFC 22x58	3.30	OS125RF0322	700
100	45	80	110	132	NFC 27x60	3.30	OS160RF0327	700
<b>4 pole</b>								
30	6	11	14	22	NFC 10x38	2.00	OS25RF2210	530
30	8	14	18	25	NFC 14x51	2.00	OS32RF2214	530
60	18.5	30	37	60	NFC 14x51	3.50	OS63RF2214	660
100	37	60	80	110	NFC 22x58	4.00	OS125RF0422	930
100	45	80	110	132	NFC 27x60	4.00	OS160RF0427	930

Selecting the right fusible disconnect for HSF fuses may be difficult. Due to UL restrictions it is not possible to give a general fuse selection table for your use. Therefore we ask you to contact ABB Control Inc., Wichita Falls, regarding application issues.

<sup>①</sup> OS32 – OS160 include handle OHB65J6 and shaft OXP6X161.  
OESA250 – OESA400 include handle OHB125J12 and shaft OXP12X250.  
OESA630 – OESA800 include handle OHB145J12 and shaft OXP12X250.

<sup>②</sup> OS25 – OS32 include handle OHB65J5 and shaft OXP5X150.  
OS50 – OS125 include handle OHB65J6 and shaft OXP6X161.