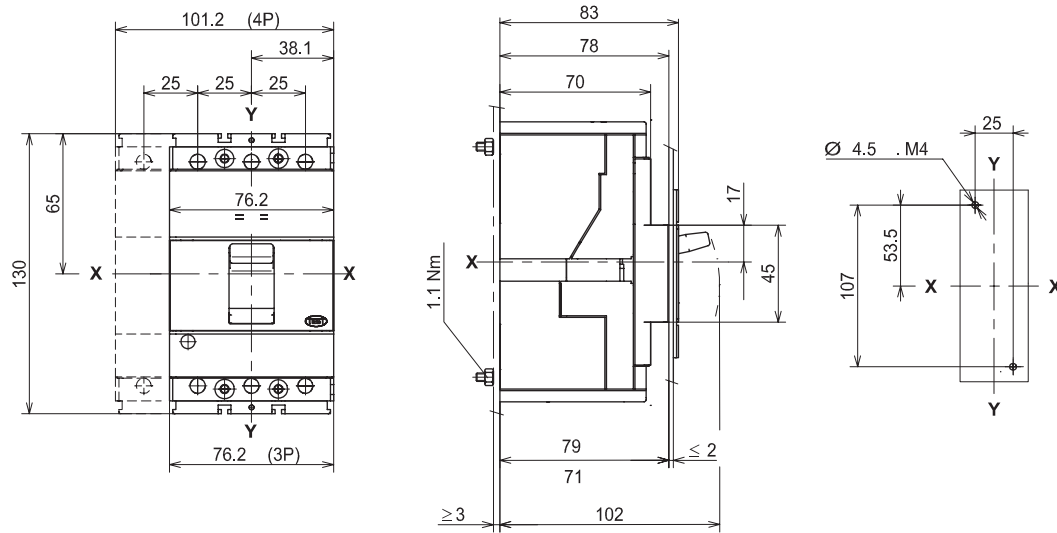


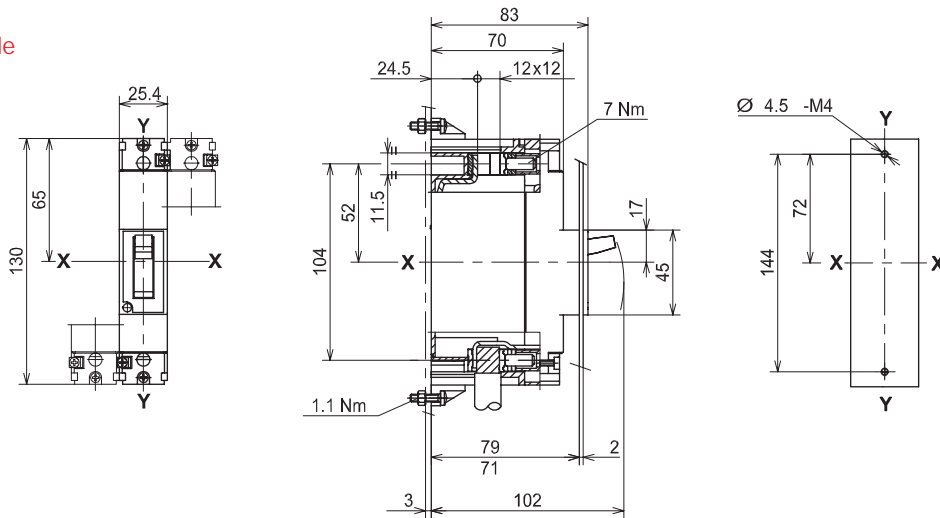
# Approximate dimensions T1 & T2

Tmax  
MCCBs

## T1 — 3 pole



## T1 — Single pole



## T2 — 2 & 3 pole

