

Accessories Mechanical T1 - T3



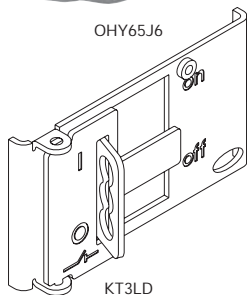
KT3RH



OHB65J6



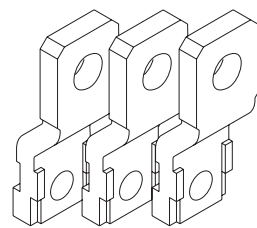
OHY65J6



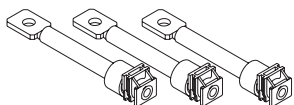
KT3LD



KT3100-3



KT2EF-3



KT2R-3

Direct mount rotary operator handle

	Catalog number	List price
Direct mount rotary	KT3RH	\$ 146

Variable depth rotary handles

Frame	Mechanism catalog number	List price	Shaft catalog number	List price	Handle catalog number	List price
NEMA 1, 3R, 12						
Tmax	KT3VD-M	\$ 72	OXp6X430 ①	\$ 28	OHY65J6 ① OHB65J6 ①	\$ 80
NEMA 4, 4X						
Tmax	KT3VD-M	72	OXp6X430 ①	28	OHY80L6 ① OHB80L6 ①	130
NEMA 1						
Tmax	KT3VD-M	72	KT3VD-S	35	KT3VD-H	87

Locking device

	Catalog number	List price
Locking device, open/closed	KT3LD	\$ 35
Locking device, open	KT3LDO	35

Lugs

For breakers	Amps	Wire size	Set of 3 catalog number	List price	Set of 4 catalog	List price number
Standard cable lugs						
T1	100	14AWG -1/0	Integral	—	Integral	—
T2	100	14AWG -1/0	KT2100-3	\$ 9	KT2100-4	\$ 12
T3	60	14AWG -2AWG	KT3060-3	9	KT3060-4	12
	100	14AWG -1/0	KT3100-3	9	KT3100-4	12
	150	2AWG -4/0	KT3150-3	12	KT3150-4	18
	225	4AWG-300kcmil	KT3225-3	18	KT3225-4	24

Standard cable lug kits with power controls taps

For breakers	Amps	Wire size	Set of 3		Set of 4	
			Catalog number	List price	Catalog number	List price
T3	100	14AWG - 1/0	KT3100-3C	\$ 16	KT3100-4C	\$ 19
	150	2AWG - 4/0	KT3150-3C	16	KT3150-4C	19
	225	4AWG - 350kcmil	KT3225-3C	25	KT3225-4C	31

Extended front terminals

For breakers	Amps	Set of 3		Set of 4	
		Catalog number	List price adder	Catalog number	List Price
T2	100	KT2EF-3	\$ 26	KT2EF-4	\$ 35
T3	225	KT3EF-3	33	KT3EF-4	44

Rear terminals

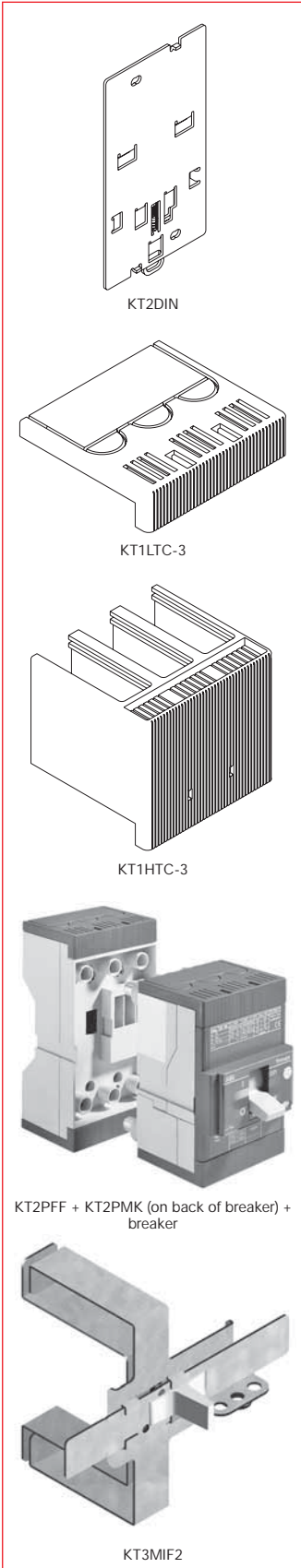
For breakers	Amps	Set of 3		Set of 4	
		Catalog number	List price adder	Catalog number	List Price
T2	100	KT2R-3	\$ 78	KT2R-4	\$ 105
T3	225	KT3R-3	98	KT3R-4	131
Distribution cable lug kit		Set of 3		Catalog number	List Price
		Wire range			
T3	225	(6) #14-6		KT3TN	\$ 125

OHB 65 J 6

- Color** ● — Shaft size (diameter in mm)
- B** = Black
- Y** = Red/Yellow
- Physical size** (length in mm) ● — J = Type 1, 3R, 12
- L** = Type 1, 3R, 12, 4, 4X

① Use Discount Schedule H6.

Accessories Mechanical T1 - T3



DIN Rail mounting kits — 35mm DIN ①

For breakers	Catalog number	List price
T1 / T2	KT2DIN	\$ 33
T3	KT3DIN	41

Terminal covers for fixed breakers

For breakers	Low profile 3-pole		Low profile 4-pole	
	Catalog number	List price	Catalog number	List Price
T1	KT1LTC-3	\$ 35	KT1LTC-4	\$ 47
T2	KT2LTC-3	40	KT2LTC-4	54
T3	KT3LTC-3	50	KT3LTC-4	68

For breakers	High profile 3-pole		High profile 4-pole	
	Catalog number	List price	Catalog number	List Price
T1	KT1HTC-3	\$ 37	KT1HTC-4	\$ 50
T2	KT2HTC-3	43	KT2HTC-4	58
T3	KT3HTC-3	53	KT3HTC-4	72

Kit consists of two pieces.

Plug-in kits for T2 and T3 ②

For breakers	Moving part		Fixed part	
	Catalog number	List price	Catalog number	List Price
T2 — 3-Pole	KT2PMK	\$ 171	KT2PFF	\$ 238
T3 — 3-Pole	KT3PMK	190	KT3PFF	264

Fixed parts accept the same cable and rear terminal kits as the circuit breakers.

Sliding bar interlock — front mounted

For breakers	For 2 breakers		For 3 breakers	
	Catalog number	List price	Catalog number	List Price
T1 – T3	KT3MIF2	\$ 625	KT3MIF3	\$ 844

Plug connectors

Item	3 Way	6 Way	12 Way	Catalog number	List price
Shunt trip or UVR	■			KT3PC-3	\$ 18
1 form C + 1BA auxiliary contact		■		KT3PC-6	21
3 form C + 1BA auxiliary contact			■	KT3PC-12	24

Cable kits

Item	Catalog number	List price
2 Cables, 2M	KT3PC-2CK	\$ 18
6 Cables, 2M	KT3PC-6CK	24
12 Cables, 2M	KT3PC-12CK	30

① For use with 15mm high DIN rail.

② Plug connectors and cable kit required when mounting accessories.