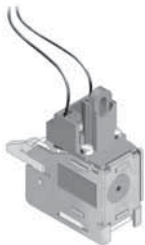


Accessories

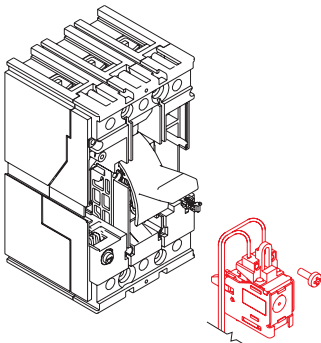
Electrical

T1 - T3

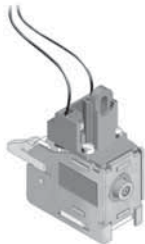
Tmax
MCCBs



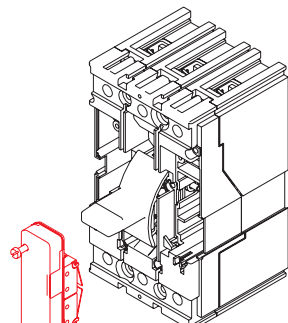
KT3S4



T1 with KT3S4



KT3U2



T1 with K3TAS



KT3M1

Shunt trips

Voltage	Factory installation		Field installation	
	Catalog number suffix ①	List price adder	Catalog number T1 - T3	List price
480 - 500VAC	S1	\$ 535	KT3S1	\$ 490
220/250VAC/DC	S2		KT3S2	
380 - 440VAC	S3		KT3S3	
110 - 125VAC/DC	S4		KT3S4	
48 - 60VAC/DC	S7		KT3S7	
24 - 30VAC/DC	S8		KT3S8	
12VDC	S9		KT3S9	

For remote opening of circuit breaker and includes internal cut-off switch to protect solenoid. All shunt trips are left pole mounted and can not be used with undervoltage releases. All shunt trips are approved for use in ground fault systems.

Electrical specifications

Voltage	AC VA	DC Watts
24, 120, 240	50	50
48 - 60	60	60
480 - 500	55	—

Undervoltage releases

Voltage	Factory installation		Field installation	
	Catalog number suffix ①	List price adder	Catalog number T1 - T3	List Price
480 - 500VAC	U1	\$ 535	KT3U1	\$ 490
220 - 250VAC/DC	U2		KT3U2	
380 - 440VAC	U3		KT3U3	
110 - 125VAC/DC	U4		KT3U4	
60VAC/DC	U5		KT3U5	
48VAC/DC	U7		KT3U7	
24 - 30VAC/DC	U8		KT3U8	

Will trip circuit breaker when connected voltage drops to 35 - 70% of undervoltage release voltage rating. Will allow circuit breaker to close (ON) when voltage is approximately 85% of rated voltage. All undervoltage releases are left pole mounted and can not be used with shunt trips.

Electrical specifications

Voltage	AC VA	DC Watts
24	1.5	1.5
48 - 60	1	1
120	2	2
220 - 250	2.5	2.5
480 - 500	4	—

Auxiliary contacts — T1 - T3

Contacts	Factory installation		Field installation	
	Catalog number suffix	List price adder	Catalog number	List Price
1 Form C + 1 BA	A	\$ 433	KT3AS	\$ 380
3 Form C + 1 BA	A3	770	KT3AS3	725
T2 PR221DS 1 Form C + 1 BA	A	433	KT2AS-E	380
3 form C + 1 BA 24VDC	A3AU	770	KT3AS3-AU	725

Electrical operators

Voltage	Field installation	
	Catalog number	List Price
48 - 60VAC/DC	KT3M1	\$ 850
110 - 250VAC/DC	KT3M2	

Electrical specifications

Voltage range	Inrush power
85 - 110% rated voltage	2500VA / 1000W

① For factory installation add suffix given to end of circuit breaker catalog number per accessory format.