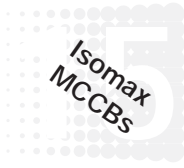


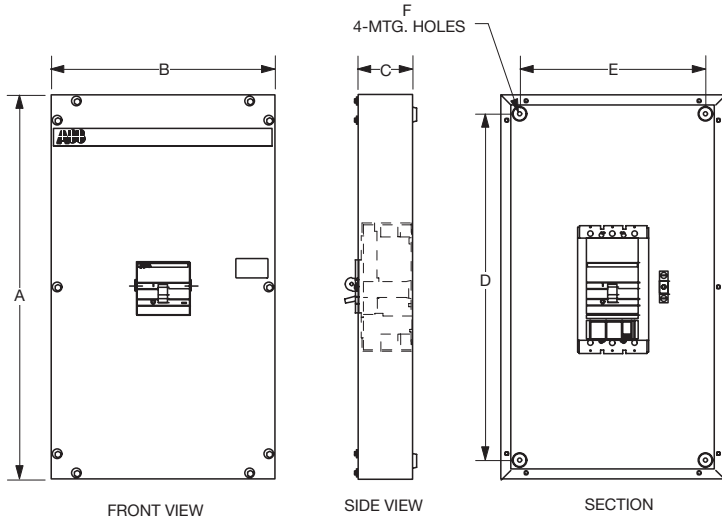
Enclosures

Approximate dimensions

S3 – S7, NEMA 1, 3R & 12

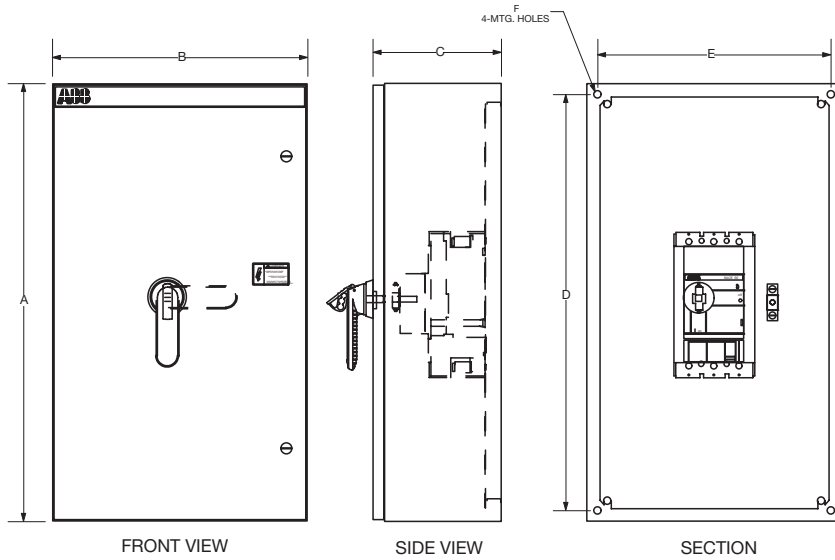


NEMA 1



| Cat. # | A | B | C | D | E | F |
|--------|----------------|---------------|---------------|----------------|---------------|---------------|
| S3E-1 | 22.0 559.0 | 12.0 305.0 | 4.25 108.0 | 19.0 482.0 | 9.0 229.0 | 0.312 7.93 |
| S4E-1 | 30.0 762.0 | 17.5 444.5 | 4.25 108.0 | 27.0 686.0 | 14.5 368.5 | 0.312 7.93 |
| S5E-1 | 30.0 762.0 | 17.5 444.5 | 4.25 108.0 | 27.0 686.0 | 14.5 368.5 | 0.312 7.93 |
| S6E-1 | 44.0 1118.0 | 22.0 559.0 | 5.75 146.0 | 41.0 1041.5 | 19.0 483.0 | 0.312 7.93 |
| S7E-1 | 44.0 1118.0 | 22.0 559.0 | 5.75 146.0 | 41.0 1041.5 | 19.0 483.0 | 0.312 7.93 |

NEMA 3R, 12



| Cat. # | A | B | C | D | E | F |
|----------|----------------|---------------|---------------|----------------|---------------|--------------|
| S3E-3R12 | 22.0 559.0 | 12.0 305.0 | 8.8 224.0 | 20.5 520.5 | 10.5 267.0 | 0.50 13.7 |
| S4E-3R12 | 30.0 762.0 | 17.5 444.5 | 8.8 224.0 | 28.5 724.0 | 16.0 406.5 | 0.50 13.7 |
| S5E-3R12 | 30.0 762.0 | 17.5 444.5 | 8.8 224.0 | 28.5 724.0 | 16.0 406.5 | 0.50 13.7 |
| S6E-3R12 | 44.0 1118.0 | 22.0 559.0 | 10.8 274.5 | 42.5 1080.0 | 20.5 521.0 | 0.50 13.7 |
| S7E-3R12 | 44.0 1118.0 | 22.0 559.0 | 10.8 274.5 | 42.5 1080.0 | 20.5 521.0 | 0.50 13.7 |

Enclosures

Approximate dimensions
S8, NEMA 1, 3R & 12

