



Special cam switches, contact plan

Company _____

Type _____

Phone/Fax nr. _____

Project number _____

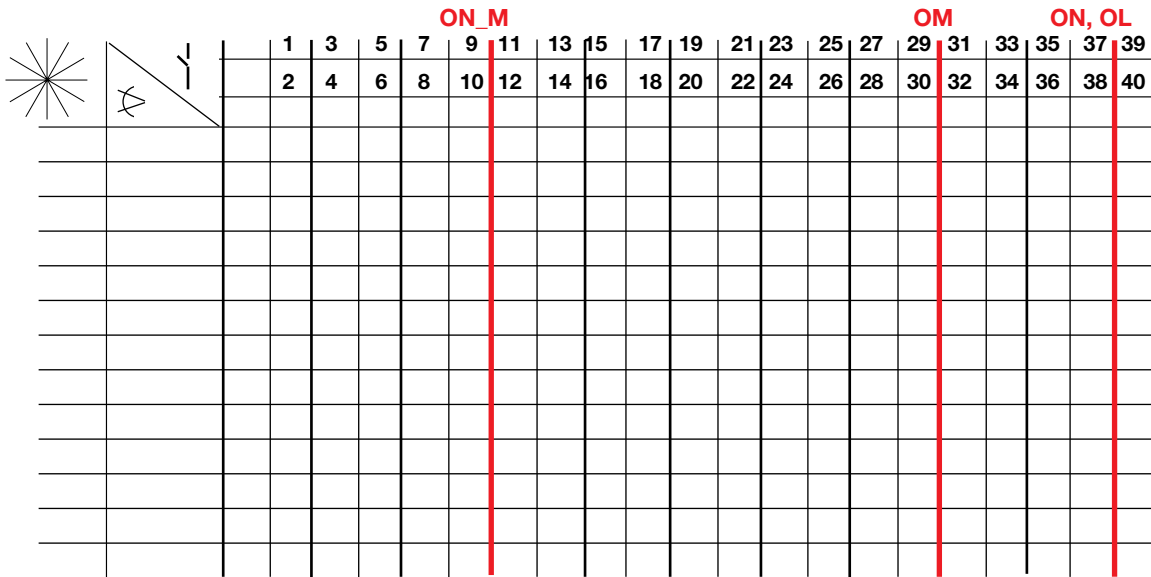
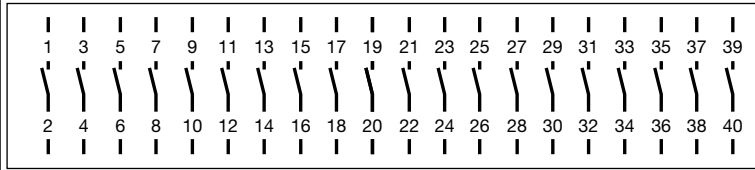
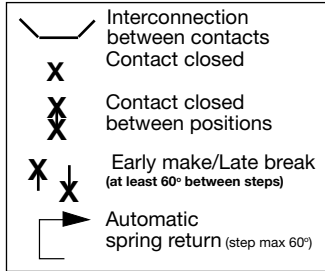
Name _____

Customer's number _____

Quantity: _____ pcs

Handled by: _____

Date: _____

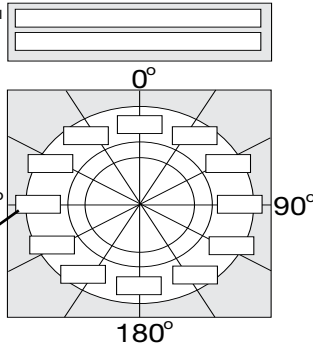


	Normal	Padlockable _X20	Key operated _K	Enclosed _E_6 IP65	Cylinder locking	Pusbutton locking
Black _B						
Grey _G						
Red-yellow _RY						

Door mounting

- OM, 10A
- ON, 25A
- OL, 40A
- OL, 80A
- OL, 125A
- OL, 160A
- OL, 200A

Additional lettering plate
Front plate
Max 6 (7) Letters



DIN-rail mounting

ON_M, Modular

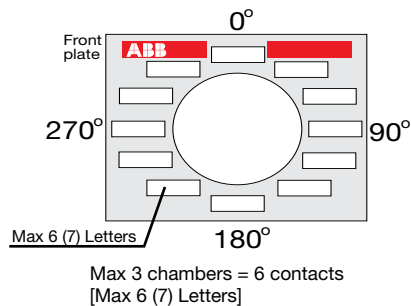


ABB Inc.