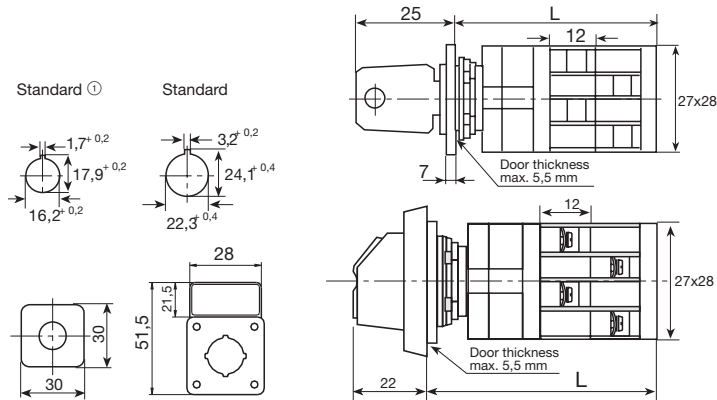


Approximate dimensions OM, ON and OL switches

Dimensions in mm.

Remark: Terminal screws on top and bottom side.

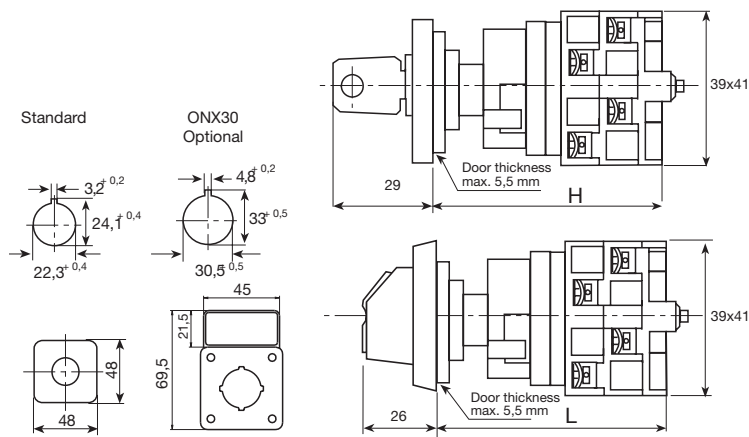
OM, Miniature



L number of contact chambers

	1	2	3	4	5	6	7	8
	45	57	69	81	90	105	111	138

ON, Normal



L number of contact chambers

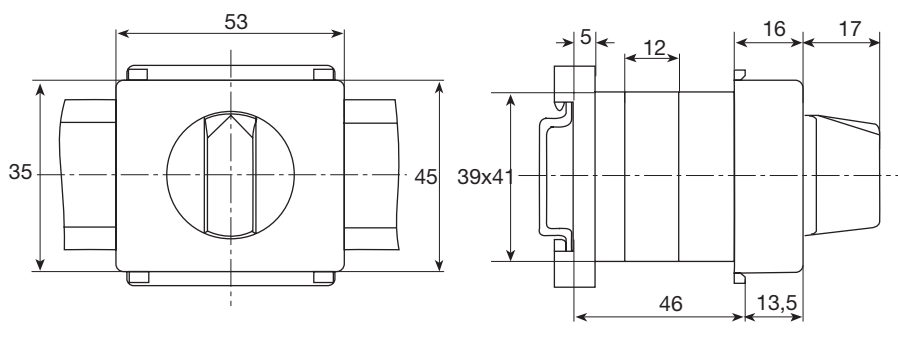
	1	2	3	4	5	6	7	8	9	10
L	54	66	78	90	102	114	126	138	150	162
H	62	76	86	98	110	122	134	146	159	171

① 22mm adaptor ring can be removed and become 16mm.

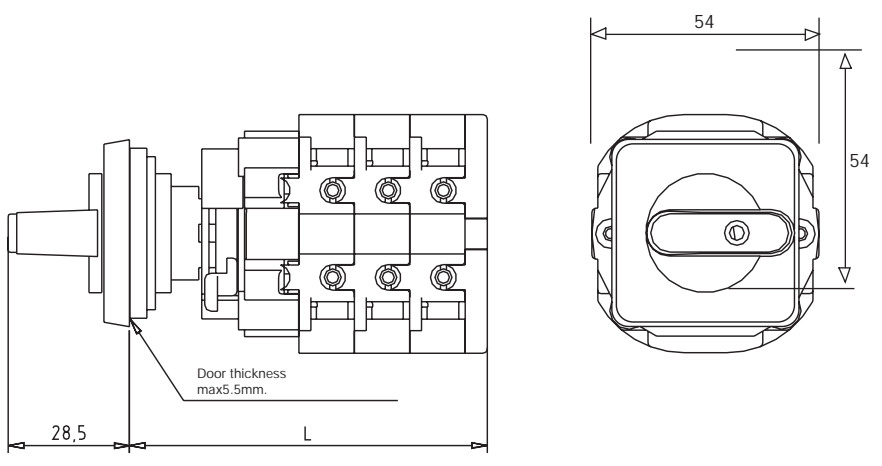
Approximate dimensions ON and OL cam switches

Dimensions in mm.

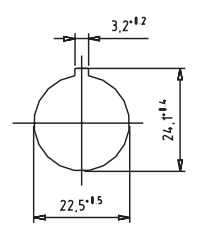
ON, Modular



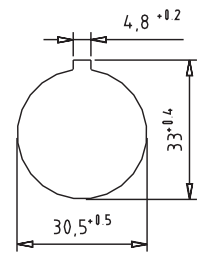
11 OL, Large



Standard



ONX30 (Optional)



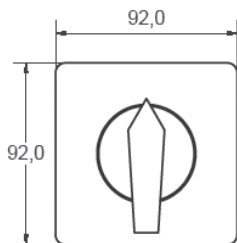
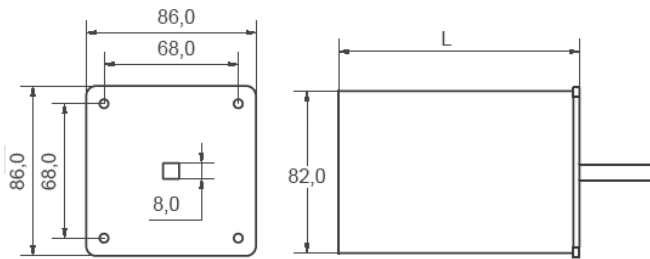
L number of contact chambers

1	2	3	4	5	6	7	8	9	10
59	72	85	98	111	124	137	150	163	176

Approximate dimensions OL Cam switches

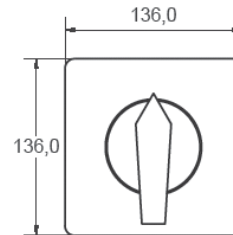
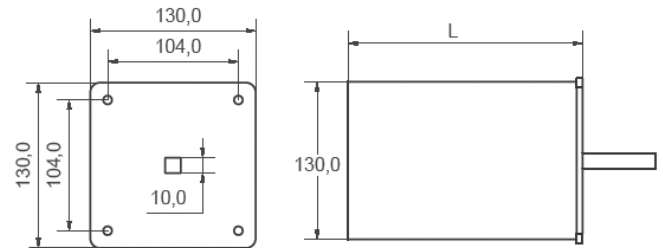


OL 80, OL125, & OL150



No. of Contacts	Length L
1 - 2	66
3 - 4	94
5 - 6	122
7 - 8	150
9 - 10	178
11 - 12	206
13 - 14	234
15 - 16	262

OL 200



No. of Contacts	Length L
1 - 2	120
3 - 4	181
5 - 6	242
7 - 8	303
9 - 10	364
11 - 12	425
13 - 14	486
15 - 16	547