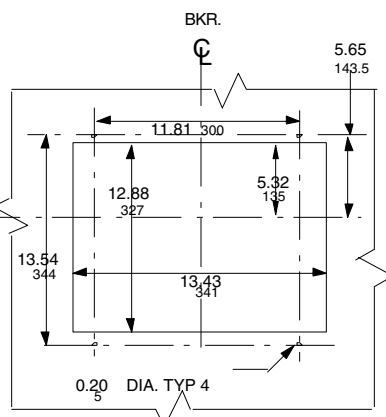
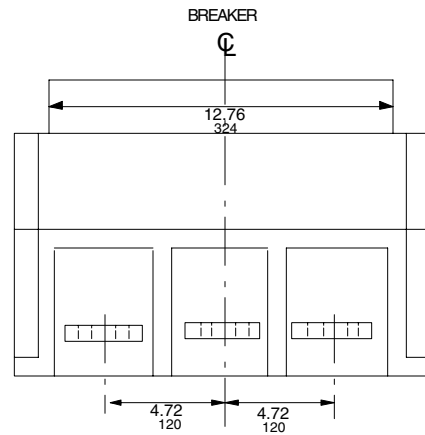


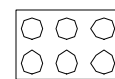
MOUNTING HOLES



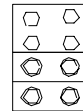
ESCUTCHEON CUT-OUT



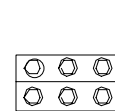
1600A LUG



2500A LUG



L



M

FIGURE	LUG KIT CAT. NO.	LUG NO.	TEMP.	WIRE RANGE	WIRE TORQUE	MOUNTING TORQUE	WIRE SCREW SIZE
L	K8TL	D1922	90° C	1/0 - 750 kcmil (4)	500 lb-in	500 lb-in	1/2
M	K8TM	D3185, D3186, D3187	90° C	1/0 - 750 kcmil (6)	500 lb-in	500 lb-in	1/2

NOTE: Lugs are interchangeable and may be ordered as required by the installed wire gauge.

( 2500A LUGS SHOWN ON BREAKER )