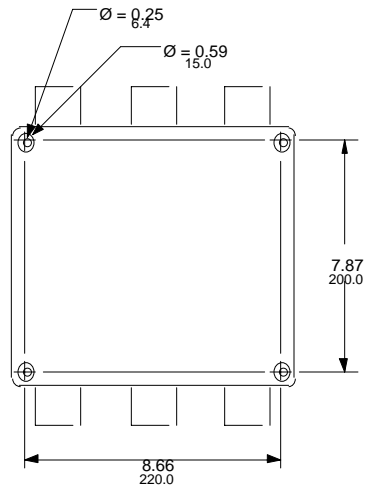
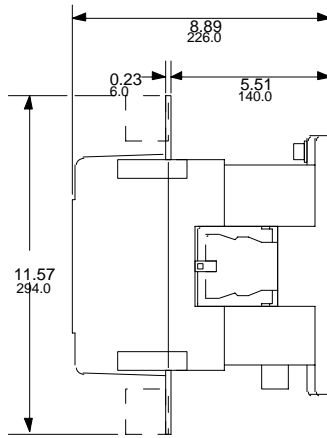


NOTE: FOR DC-OPERATED CONTACTORS, THE DC AUXILIARY BLOCK AND ECONOMISING RESISTOR ADD 1.00" TO THE WIDTH OF THE EH CONTACTORS.



EH 700 CONTACTOR

ABB Control Inc.
5-20-98
REV. B